

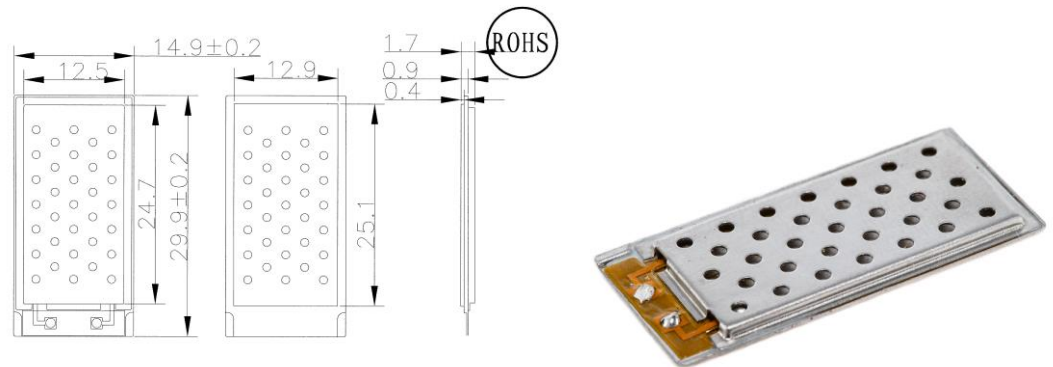
Piezo-Lautsprecher LSP-3015 Art.-Nr.: 109050

Specification :

TYPE	UNIT	Specifications	Test conditions
Sound Pressure Level	dB	80Min.	B&K(10cm/5Vrms/at muffle room) (Average at 4-point: 1.0k, 1.5k, 2.0k, 2.5k)
Electrostatic Capacitiy	nF	300±30%	Digital electric bridge (120Hz/1V/25°C)
(F0)	Hz	850±20%	B&K (5V/rms)
Frequency Range	Hz	300~20.000	-
Max Inpute Voltage	Vrms	7	Sine Wave
Operating Temp.	°C	-25~+70	-
Storage Temp.	°C	-30~+85	-

Dimensions :

(Unit : mm)



Frequency Response :

